

Solid Fuel Range Cookers and Stoves Catalogue
KVS MORAVIA





KVS EKODIVIZE a.s. (Inc.), branch plant Dvorce – producer of KVS MORAVIA household appliances

The history of the plant in Dvorce in Moravia dates back to the beginning of the last century. The production began in 1906, which was reoriented towards supplying the military in wartime. After the war the engineering production continued. The production of solid fuel appliances – cooking and heating stoves and boilers – started in 1994. Today we supply this assortment under the KVS MORAVIA trade mark to trade networks in the Czech Republic. These appliances work on the principle of the combustion of solid fuels: lignite, wood and currently also an environmentally-friendly fuel – wood briquettes.

Since 1 February 2003, the Dvorce plant has been part of the joint-stock company KVS EKODIVIZE.

Solid Fuel Range Cookers and Stoves KVS MORAVIA





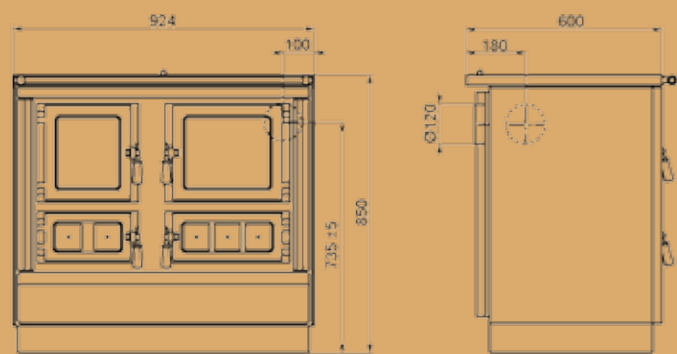


Solid fuel range cooker with oven for heating, cooking, baking and food warming



Heat Output: 7.5–10 kW
 Minimum heating area: 75–150 m³
 Efficiency: 70 %
 Weight: 175 kg
 Recommended fuel type: firewood and wood briquettes
 Optional cooking hob top: ground steel finish or glass and ceramic panel
 Accessories (adjusting elements): chrome plate or titanium plate (golden)

6.



TECHNICAL SPECIFICATIONS:

Heat Output, min	7,5 kW	
Chimney Draught, min	10 Pa	
Overall Cooker Size	Height	850 mm (33.46 inch)
	Width	924 mm (36.37 inch)
	Depth	600 mm (23.62 inch)
Hob Top Dimensions	0.37 m ²	
Oven Size	Height	250 mm (9.84 inch)
	Width	302 mm (11.89 inch)
	Depth	433 mm (17.04 inch)
Flue Pipe Diameter	120 mm	
Distance from the floor to the centre of the flue socket	735 mm ±5 mm (28.93 inch)	
Fuel Type (recommended)	firewood, wood briquettes	
Average Fuel Consumption	Brown coal	2.8 kg/hour
	Wood	3.5 kg/hour
Efficiency, min	70 %	
Weight	175 kg	

Features

- high output
- modern rustic style
- spacious firebox for firewood with length to 450 mm (17.71 inch) and diameter of 190 mm (7.48 inch)
- firebox door with glass for visual control fuel consumption
- oven with excellent baking performance
- glass oven door equipped with a temperature gauge
- flue exit top, rear and side
note: glass and ceramic cooking hob panel – only flue side and rear exits available
- user friendly air inlet and exhaust gas controls
- spacious solid fuel storage drawer
- left and right-handed versions
- the cooling panels can be used for installation to kitchen unit (see page 26.)
- this range cooker can be ordered with water heat exchanger unit for connection to a central heating system and hot water tank (see page 23.)

Colour



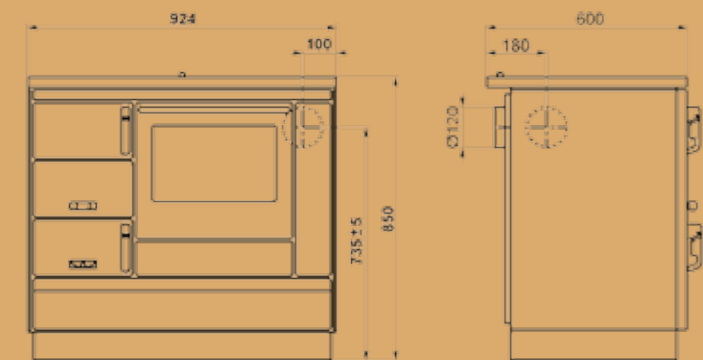


Solid fuel range cooker with oven for heating, cooking, baking and food warming



Heat Output: 6–10 kW
 Minimum heating area: 75–150 m³
 Efficiency: 70 %
 Weight: 155 kg
 Recommended fuel type: firewood and brown coal
 Optional cooking hob top: cast iron + steel, ground steel finish or glass and ceramic panel
 Accessories (adjusting elements): chrome plate or titanium plate (golden) or plastic

8.



Features

- high output
- spacious firebox is easily adjustable to summer or winter regimes
- generous oven with excellent baking performance
- glass oven door equipped with a temperature gauge
- flue exit top, rear and side
- glass and ceramic cooking hob panel (only flue side and rear exits available)
- user friendly air inlet and exhaust gas controls
- spacious solid fuel storage drawer
- left and right-handed versions
- modern design allows installation of the cooker within a standard kitchen
- the cooling panels can be used for installation to kitchen unit (see page 26.)
- this range cooker can be ordered with water heat exchanger unit for connection to a central heating system and hot water tank (see page 22.)

Colour



TECHNICAL SPECIFICATIONS:

Heat Output, min	6 kW	
Chimney Draught, min	10 Pa	
Overall Cooker Size	Height	850 mm (33.46 inch)
	Width	924 mm (36.37 inch)
	Depth	600 mm (23.62 inch)
Hob Top Dimensions	0.37 m ²	
Oven Size	Height	294 mm (11.57 inch)
	Width	400 mm (15.74 inch)
	Depth	482 mm (18.97 inch)
Flue Pipe Diameter	120 mm	
Distance from the floor to the centre of the flue socket	735 mm ± 5 mm (28.93 inch)	
Fuel Type	firewood and brouwn coal	
Average Fuel Consumption	Brown coal	2 kg/hour
	Wood	3 kg/hour
Efficiency, min	70 %	
Weight	155 kg	



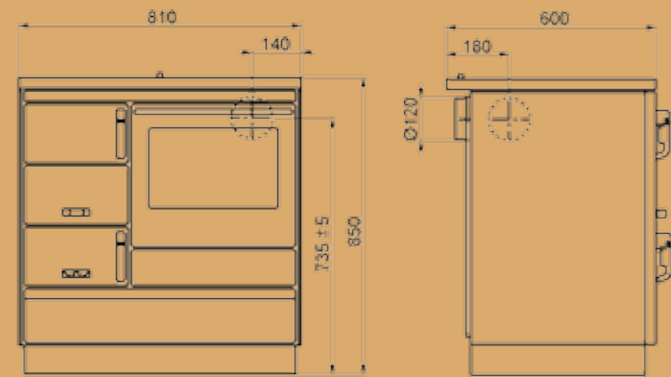


Solid fuel range cooker with oven for heating, cooking, baking and food warming



Heat Output: 6–10 kW
 Minimum heating area: 75–150 m³
 Efficiency: 70 %
 Weight: 140 kg
 Recommended fuel type: firewood and brown coal
 Optional cooking hob top: cast iron + steel, ground steel finish or glass and ceramic panel
 Accessories (adjusting elements): chrome plate or titanium plate (golden) or plastic

10.



TECHNICAL SPECIFICATIONS:

Heat Output, min	6 kW	
Chimney Draught, min	10 Pa	
Overall Cooker Size	Height	850 mm (33.46 inch)
	Width	810 mm (31.89 inch)
	Depth	600 mm (23.62 inch)
Hob Top Dimensions	0.34 m ²	
Oven Size	Height	294 mm (11.57 inch)
	Width	400 mm (15.74 inch)
	Depth	482 mm (18.97 inch)
Flue Pipe Diameter	120 mm	
Distance from the floor to the centre of the flue socket	735 mm ± 5 mm (28.93 inch)	
Fuel Type	firewood and brouwn coal	
Average Fuel Consumption	Brown coal	1.8 kg/hour
	Wood	3.5 kg/hour
Efficiency, min	70 %	
Weight	140 kg	

Features

- high output
- spacious firebox is easily adjustable to summer or winter regimes
- generous oven with excellent baking performance
- glass oven door equipped with a temperature gauge
- flue exit top, rear and side
- glass and ceramic cooking hob panel (only flue side and rear exits available)
- user friendly air inlet and exhaust gas controls
- spacious solid fuel storage drawer
- left and right-handed versions
- modern design allows installation of the cooker within a standard kitchen
- the cooling panels can be used for installation to kitchen unit (see page 26.)

Colour



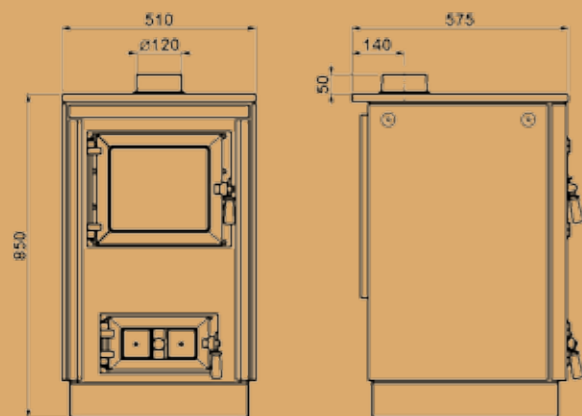


Solid fuel range cooker for heating, cooking and food warming



Heat Output: 7–9 kW
 Minimum heating area: 80–150 m³
 Efficiency: 70 %
 Weight: 130 kg
 Recommended fuel type: firewood and wood briquettes
 Cooking hob top: ground steel finish
 Accessories (adjusting elements): chrome plate or titanium plate (golden)

12.



Features

- high output
- modern rustic style
- spacious firebox for firewood with length to 350 mm (13.78 inch) and diameter of 230 mm (9.06 inch)
- firebox door with glass for visual control fuel consumption
- flue exit top with diameter 120 mm

TECHNICAL SPECIFICATIONS:

Heat Output, min	7 kW	
Chimney Draught, min	10 Pa	
Overall Cooker Size	Height	850 mm (33.46 inch)
	Width	510 mm (20.08 inch)
	Depth	575 mm (22.64 inch)
Hob Top Dimensions	0.20 m ²	
Flue Pipe Diameter	120 mm	
Fuel Type	firewood, wood briquettes	
Average Fuel Consumption	Wood briquettes	2.5 kg/hour
Fuel Consumption	Firewood	3 kg/hour
Efficiency, min	70 %	
Weight	130 kg	

Colour



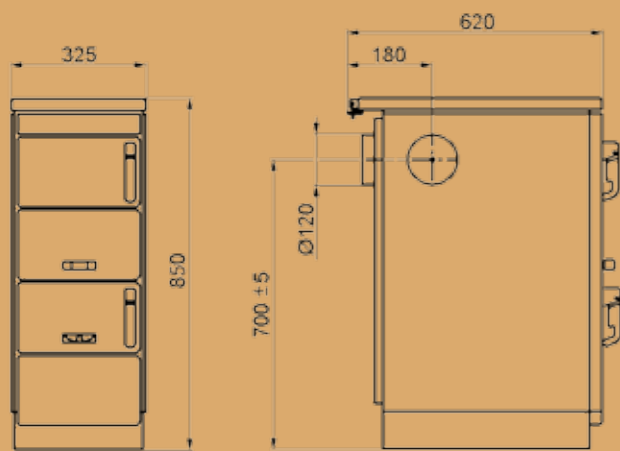


Solid fuel range cooker for heating, cooking and food warming



Heat Output: 6–8 kW
 Minimum heating area: 75–100 m³
 Efficiency: 70 %
 Weight: 100 kg
 Recommended fuel type: firewood and brown coal
 Cooking hob top: ground steel finish
 Accessories (adjusting elements): chrome plate or plastic

14.



Features

- modern design allows installation of the cooker within a standard kitchen
- spacious burner – easily adjustable to summer or winter regimes
- flue exits top, rest and both sides
- user friendly air inlet and exhaust gas controls
- solid fuel storage drawer

TECHNICAL SPECIFICATIONS:

Heat Output, min	6 kW	
Chimney Draught, min	10 Pa	
Overall Cooker Size	Height	860 mm (33.86 inch)
	Width	325 mm (12.80 inch)
	Depth	620 mm (24.41 inch)
Hob Top Dimensions	0.12 m ²	
Flue Pipe Diameter	120 mm	
Distance from the floor to the centre of the flue socket	700 mm ±5 mm (27.56 inch)	
Fuel Type	firewood and brown coal	
Average Fuel Consumption	Brown coal	1.2 kg/hour
	Wood	2 kg/hour
Efficiency, min	70 %	
Weight	100 kg	

Colour



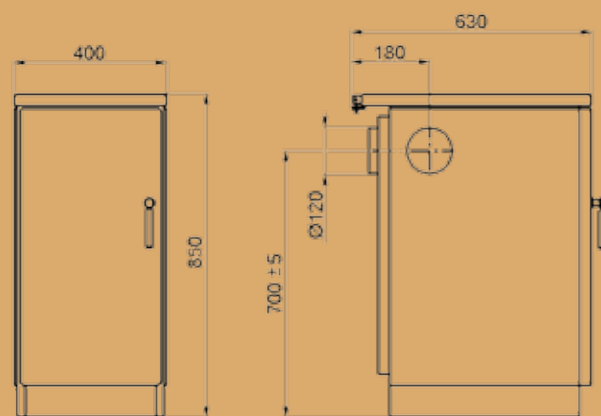


Solid fuel range cooker for heating, cooking and food warming

Heat Output: 6–8 kW
 Minimum heating area: 75–120 m³
 Efficiency: 70 %
 Weight: 100 kg
 Recommended fuel type: firewood and brown coal
 Cooking hob top: ground steel finish
 Accessories (adjusting elements): chrome plate or titanium plate (golden)



16.



Features

- modern design allows installation of the cooker within a standard kitchen
- spacious burner
- flue exits top, rest and both sides
- cover lid and front doors
- convenient output regulator
- solid fuel storage drawer

TECHNICAL SPECIFICATIONS:

Heat Output, min	6 kW	
Chimney Draught, min	10 Pa	
Overall Cooker Size	Height	860 mm (33.86 inch)
	Width	400 mm (15.75 inch)
	Depth	630 mm (24.81 inch)
Hob Top Dimensions	0.15 m ²	
Flue Pipe Diameter	120 mm	
Distance from the floor to the centre of the flue socket 700 mm ±5 mm (27.56 inch)		
Fuel Type	firewood and brouwn coal	
Average Fuel Consumption	Brown coal	1.6 kg/hour
	Wood	2.8 kg/hour
Efficiency, min	70 %	
Weight	100 kg	

Colour



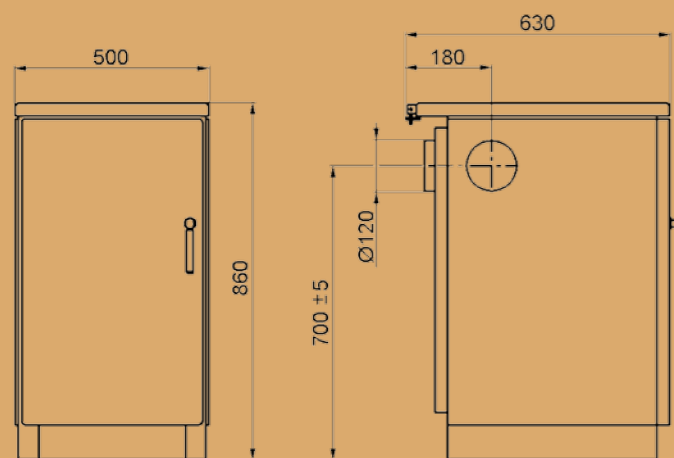


Solid fuel range cooker for heating, cooking and food warming



Heat Output: 6–8 kW
 Minimum heating area: 80–120 m³
 Efficiency: 70 %
 Weight: 110 kg
 Recommended fuel type: firewood and brown coal
 Cooking hob top: ground steel finish
 Accessories (adjusting elements): chrome plate or titanium plate (golden)

18.



Features

- modern design allows installation of the cooker within a standard kitchen
- spacious burner
- flue exits top, rest and both sides
- cover lid and front doors
- user friendly air intake and exhaust gas controls
- solid fuel storage drawer

TECHNICAL SPECIFICATIONS:

Heat Output, min	6 kW	
Chimney Draught, min	10 Pa	
Overall Cooker Size	Height	860 mm (33.86 inch)
	Width	500 mm (19.69 inch)
	Depth	630 mm (24.81 inch)
Hob Top Dimensions	0.18m ²	
Flue Pipe Diameter	120 mm	
Distance from the floor to the centre of the flue socket 700 mm ±5 mm (27.56 inch)		
Fuel Type	firewood and brouwn coal	
Average Fuel Consumption	Brown coal	1.6 kg/hour
	Wood	2.8 kg/hour
Efficiency, min	70 %	
Weight	110 kg	

Colour



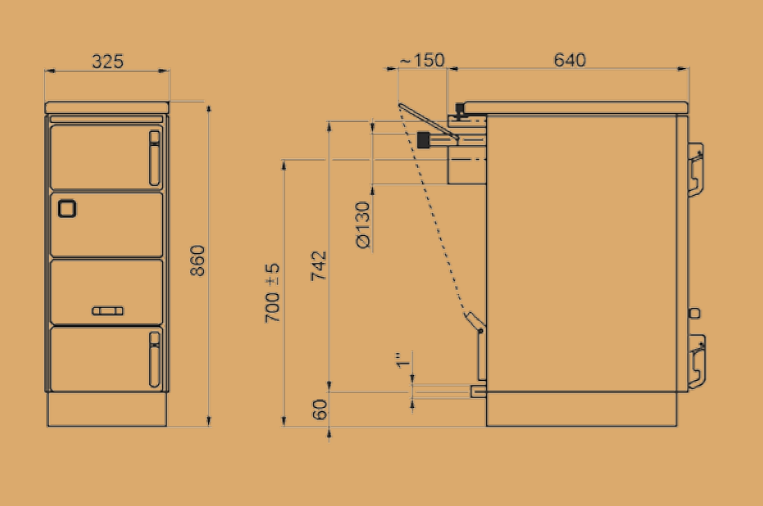


Solid fuel boiler for connection to central heating system, cold be used as a cooker



Heat Output: 7.5–10 kW
 Minimum heating area: 125–150 m³
 Efficiency: 70 %
 Weight: 110 kg
 Recommended fuel type: firewood and brown coal
 Cooking hob top: steel
 Accessories (adjusting elements): plastic

20.



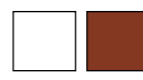
Features

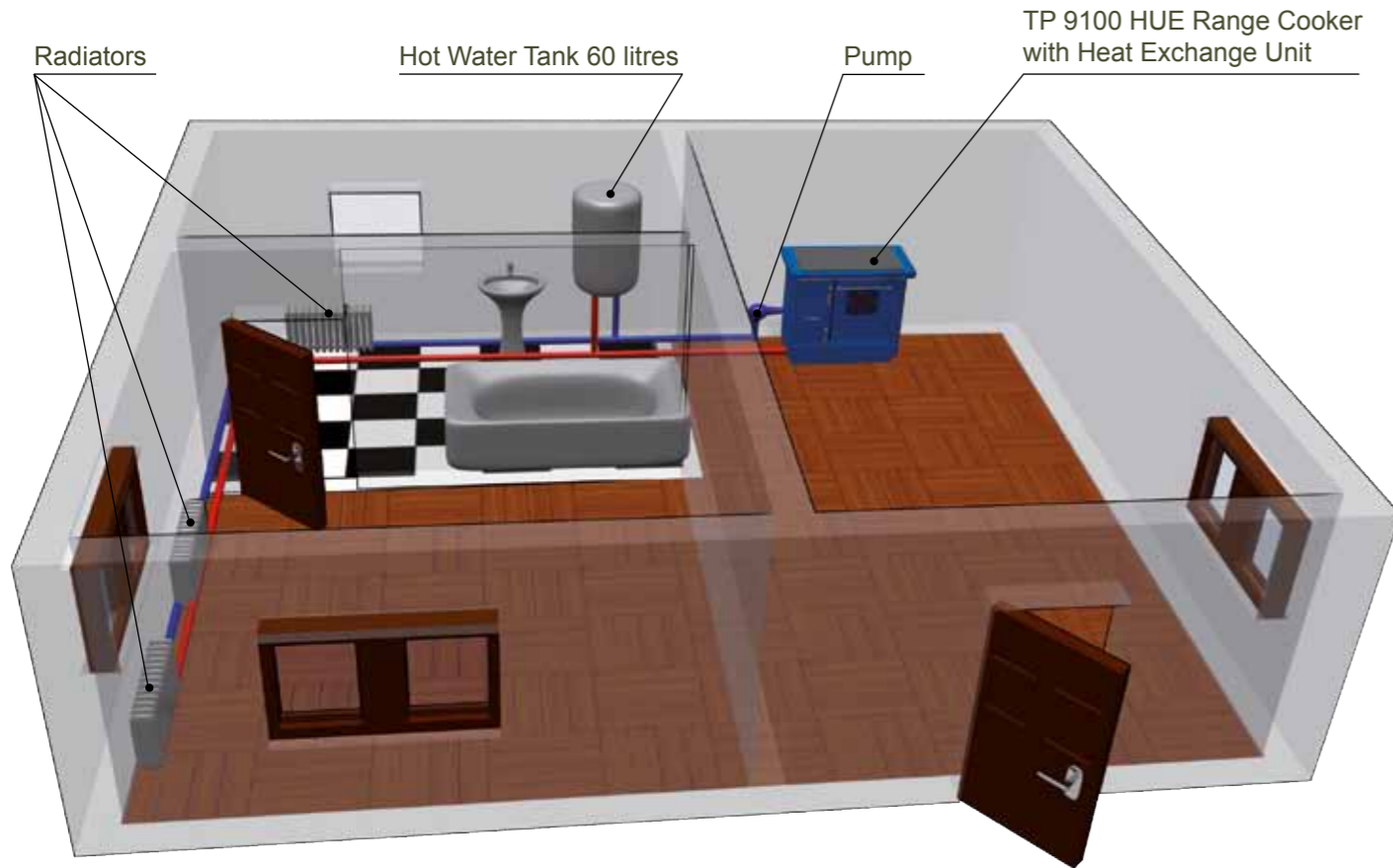
- possibility to choose lower or upper burning
- user friendly air inlet and exhaust gas controls
- air inlet control regulator can be easily adjusted to control fuel burn rate and hot water temperature
- modern design allows installation of the cooker within a standard kitchen or in other places
- supplied with a cover lid if required
- flue exit rear

TECHNICAL SPECIFICATIONS:

Heat Output, min	7,5kW
Chimney Draught, min	10 Pa
Overall Cooker Size	Height 860 mm (33.86 inch)
	Width 325 mm (12.81 inch)
	Depth 640 mm (25.20 inch)
Hob Top Dimensions	0.12 m ²
Flue Pipe Diameter	130 mm
Distance from the floor to the centre of the flue socket 700 mm ±5 mm (27.56 inch)	
Fuel Type	firewood and brouwn coal
Average Fuel Consumption	Brown coal 2–2.5 kg/hour
	Firewood 4 kg/hour
Efficiency, min	70 %
Dimensions of the heating system connection: G1"	
Boiler Water Volume	16 l (dm ³)
Working pressure, max	0,2 Mpa
Burner volume	12 l (dm ³)
Weight	110 kg

Colour

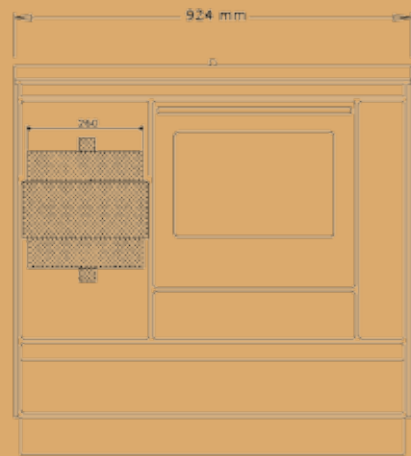




Solid fuel range cooker with oven for heating, cooking, baking and roasting and for connection to central heating hot water system

Solid fuel range cooker with oven for heating, cooking, baking and roasting and for connection to central heating hot water system

22.



Technical data for the 9100 HEU type

Heat Output: 6–10 kW
 Minimum heating area: 125–150 m³
 Heat Exchange Unit Output: into area 5,5 kW
 into water 3,5–8 kW
 Heat Exchange Unit Volume: 10 litres
 Heat Exchange Unit water outlet: 1 in
 Efficiency: 70 %
 Weight: 158 kg
 Recommended fuel type: firewood and brown coal
 Fuel exits: top, rear and side



Colour



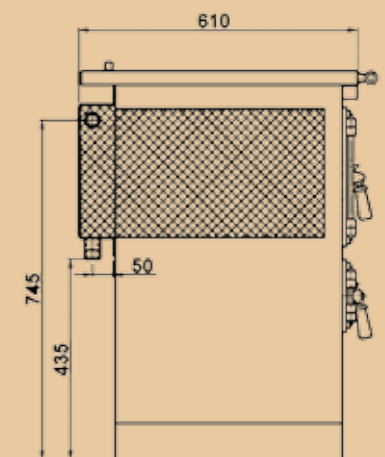
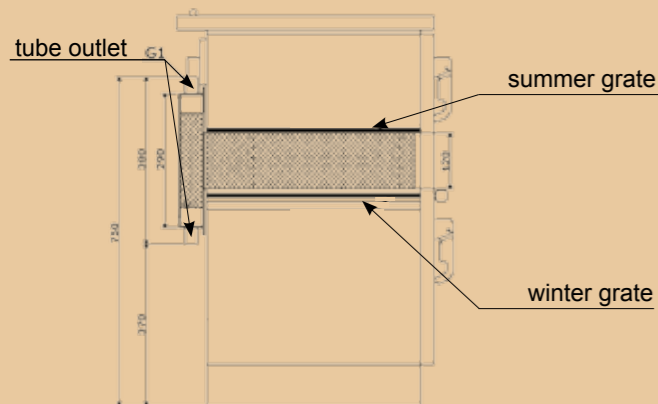
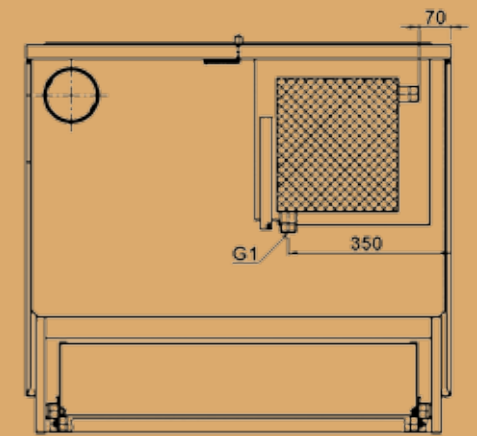
23.

Technical data for the 9112 HEU type

Heat Output: 7,5–10 kW
 Minimum heating area: 125–150 m³
 Heat Exchange Unit Output: into area 5.5 kW
 into water 3.5–8 kW
 Heat Exchange Unit Volume: 9 litres
 Heat Exchange Unit water outlet: 1 in
 Efficiency: 70 %
 Weight: 175 kg
 Recommended Fuel: firewood and wood briquettes
 Flue Exits: top, rear and side



Colour





Oven

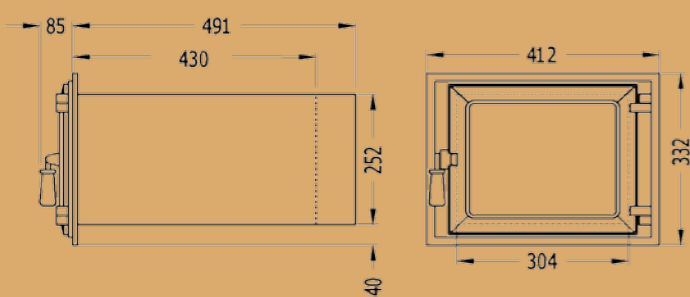
Fire box

Heat Output: 6–10 kW
 Weight of Oven: 15 kg
 Weight of fire box: 25 kg
 Fireproof Glass temperature tolerance: 600°C
 Recommended fuel type: firewood and wood briquettes
 Accessories (adjusting elements): wooden or chromium-plated doors handle and brass air rose handle

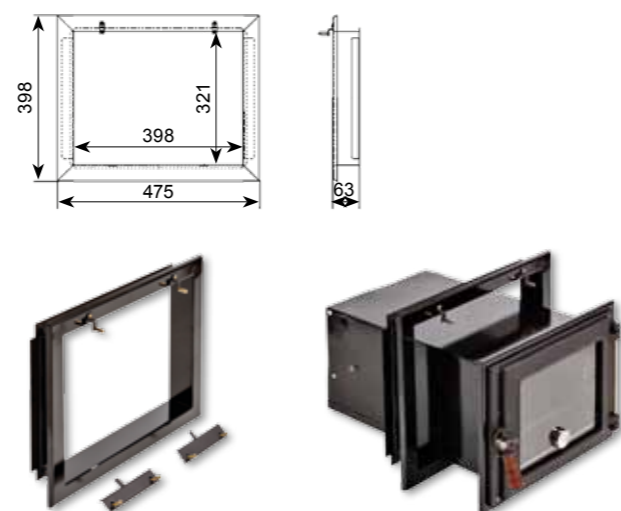
The built-in system is intended for your own construction of stoves or Dutch furnaces for solid fuel

24.

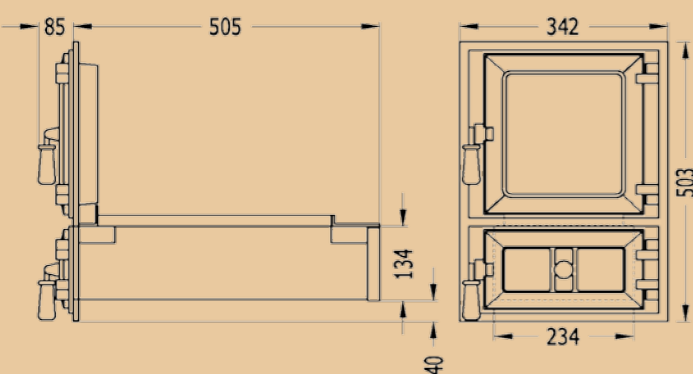
Oven 8111-01-000



Frame for oven 8111-05-919



Fire box 8111-05-000



Features:

- cast iron firebox door, fire grate, ashpan and oven door
- ashpan door with air regulator
- glass firebox door for visual fuel control
- glass of oven door equipped with a temperature gauge

NOTE:
 we don't design or build the Tiled stoves
 or Dutch construction or cookers





The cooling panel is suitable for use in building solid-fuel appliances into a fitted kitchen or for installations in the interior requiring insulation from furniture and other equipment.

Dimensions: W100 x H850 x D600 in mm
 W3.94 x H33.47 x D23.62 in inches
 Weight: 8 kg
 Variants of design: double-sided



Features:

- Easy installation
- Colouring in line with the design of appliances
- Functionality and ensuring prescribed safety clearances
- Uniform design for positioning it from the left and right side of an appliance
- Modern design that allows positioning it for example in a fitted kitchen

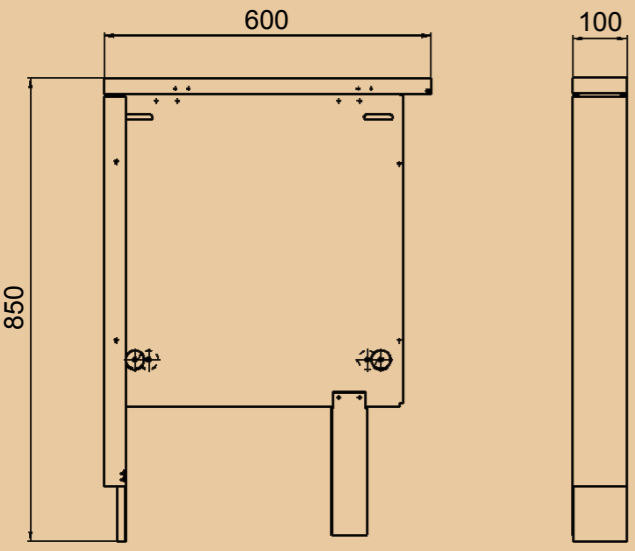
Technical description

The KVS MORAVIA type 9118 cooling panel is used to reduce the temperature in the space between an appliance and fitted kitchen. It is suitable for 9100, 9103 and 9112 type cookers.

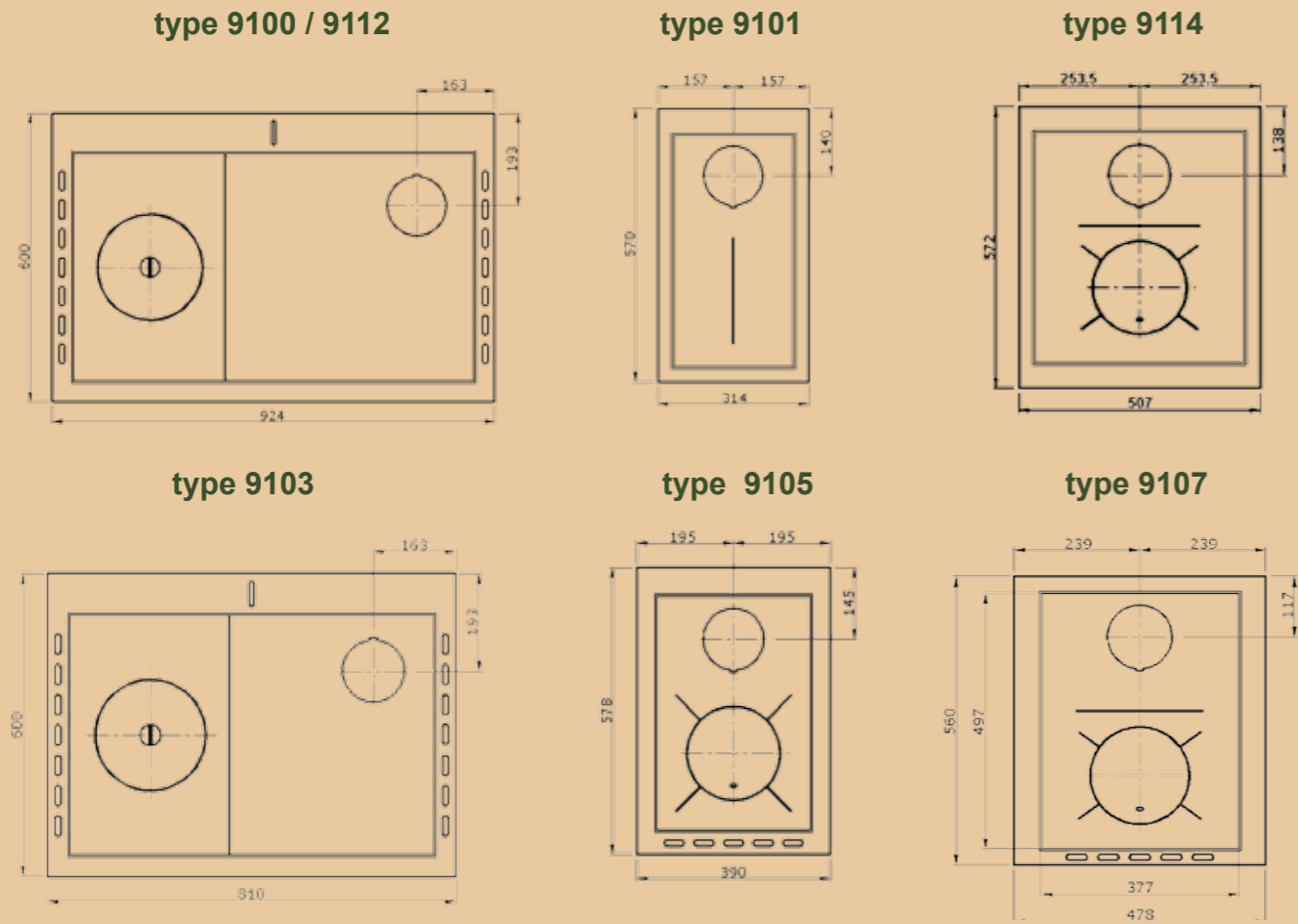
With its shape and dimension, the panel is a smooth continuation of the cooker and does not disrupt its overall design. The internal parts of the panel are made of galvanised sheet metal, and the external visible parts have a surface finish resistant to rather high temperatures.

The panel can be positioned from both sides of the cooker except where a flue is connected from the side.

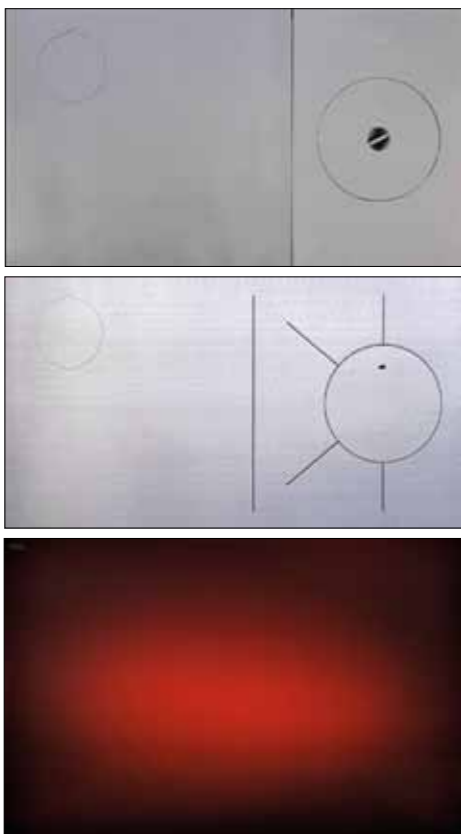
Colour



The top flue exit position on the cooking hob top panels



Variations of the cooking hob top panels for types 9100, 9103 and 9112



Two-pieces cast iron and steel cooking hot top

- cooking hob top panel with resistant coating

One-piece ground steel cooking hot top

- cooking hob top panel with attractive ground steel finish

Attractive glass and ceramic panel cooking hob top

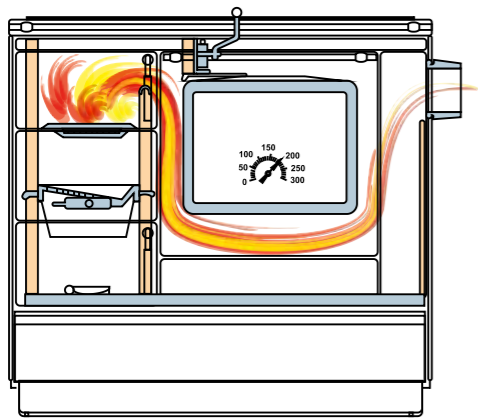
- special hardened glass for direct flame exposure

**Cut away diagram
of type 9100**

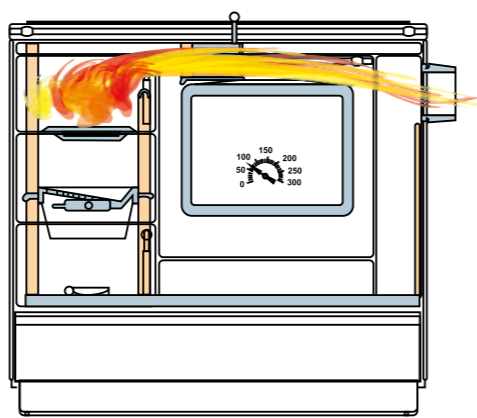


30.

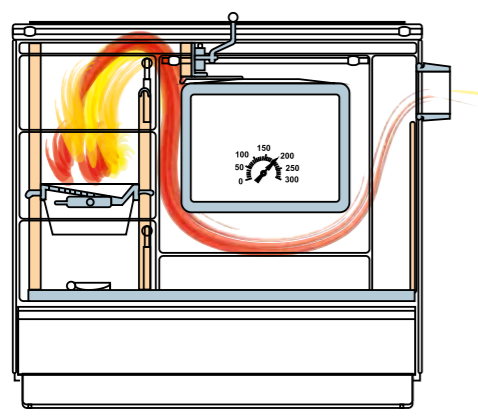
1. Summer regime: baking in the oven – the shutter is down



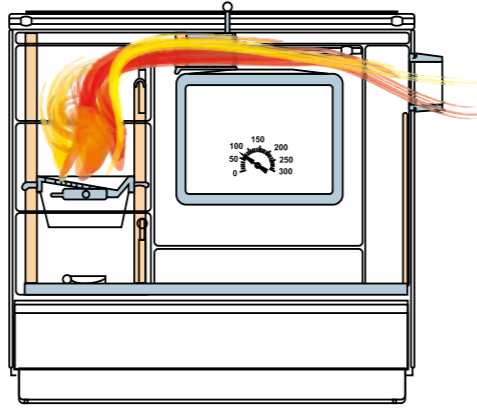
hot plate cooking – the shutter is up



2. Winter regime: baking in the oven – the shutter is down



hot plate cooking on the top – the shutter is up





Technical Specifications		9112	9112 HEU*	9100	9100 HEU*	9103	9114	9101	9105	9107	9106
Name	Measurement unit										
Heat Output. min	kW	7.5	9	6	6	6	9	6	6	6	7.5
Chimney Draught. min.	Pa	12	12	12	12	12	12	12	12	12	12
Temperature of exhaust gas	°C	250	250	200	200	200	340	200	200	200	200
Exgaust gas flow. weight	g/sec	12	12	3	3	2.7	1.7	1.7	2.7	2.7	4.4
Overall Cooker Size	Height	mm (inch) (33.46)	850 (33.46)	850 (33.46)	850 (33.46)	850 (33.46)	860 (33.86)	860 (33.86)	860 (33.86)	860 (33.86)	860 (33.86)
	Widht	mm (inch) (36.37)	924 (36.37)	924 (36.37)	924 (36.37)	810 (31.89)	510 (20.08)	325 (12.80)	400 (15.75)	500 (19.69)	325 (12.80)
	Depth	mm (inch) (23.62)	600 (23.62)	600 (23.62)	600 (23.62)	600 (23.62)	630 (24.81)	620 (24.41)	630 (24.81)	630 (24.81)	640 (25.20)
Hob Top Dimenzions	m²	0.37	0.37	0.37	0.37	0.34	0.2	0.12	0.15	0.18	0.12
Oven Size	Height	mm (inch) (9.84)	250 (9.84)	294 (11.57)	294 (11.57)	294 (11.57)					
	Widht	mm (inch) (11.89)	302 (11.89)	400 (15.74)	400 (15.74)	400 (15.74)					
	Depth	mm (inch) (17.04)	433 (17.04)	482 (18.97)	482 (18.97)	482 (18.97)					
Flue Pipe Diameter	mm	120	120	120	120	120	120	120	120	120	130
Fire box Size - summer regime	Height	mm (inch)		220 (8.66)	220 (8.66)	220 (8.66)		220 (8.66)			
	Widht	mm (inch)		200 (7.87)	200 (7.87)	200 (7.87)		190 (7.48)			
	Depth	mm (inch)		380 (14.96)	380 (14.96)	380 (14.96)		270 (10.62)			
Fire box Size - winter regime	Height	mm (inch) (8.66)	220 (8.66)	360 (14.17)	360 (14.17)	360 (14.17)	250 (9.84)	360 (14.17)	330 (12.99)	331 (12.99)	490 (19.29)
	Widht	mm (inch) (8.27)	210 (8.27)	190 (7.48)	200 (7.87)	200 (7.87)	380 (14.96)	190 (7.48)	230 (9.05)	230 (9.05)	228 (8.97)
	Depth	mm (inch) (17.71)	450 (17.71)	450 (17.71)	380 (14.96)	380 (14.96)	385 (15.16)	270 (10.62)	250 (9.84)	250 (9.84)	142 (5.59)
Stokehole Size	Widht	mm (inch) (7.76)	197 (7.76)	192 (7.56)	195 (7.68)	192 (7.56)	300 (11.81)	192 (7.56)	167 (6.57)	167 (6.57)	192 (7.56)
	Height	mm (inch) (7.87)	200 (7.87)	130 (5.12)	115 (4.53)	130 (5.12)	245 (9.65)	130 (5.12)	115 (4.53)	115 (4.53)	130 (5.12)
Upper grate Size	Widht	mm (inch)		185 (7.28)	185 (7.28)	185 (7.28)		185 (7.28)			
	Height	mm (inch)		380 (14.96)	380 (14.96)	380 (14.96)		380 (14.96)			
Lower rotation grate Size (type 9106 has movable grate)	Widht	mm (inch) (5.51)	140 (5.51)	140 (5.51)	140 (5.51)	140 (5.51)	160 (6.30)	140 (5.51)	140 (5.51)	140 (5.51)	165 (6.50)
	Height	mm (inch) (11.81)	300 (11.81)	300 (11.81)	300 (11.81)	300 (11.81)	290 (11.42)	240 (9.45)	240 (9.45)	240 (9.45)	205 (8.07)
Distance from the floor to the centre of the flue socket ± 5 mm	mm (inch) (28.93)	735 (28.93)	735 (28.93)	735 (28.93)	735 (28.93)	735 (28.93)		700 (27.56)	700 (27.56)	700 (27.56)	700 (27.56)
Average Fuel Consumption	Brown coal	kg/hour		2	2.5	1.8		1.2	1.6	1.6	2.4
	Wood briquettes	kg/hour	2.8	2.8	2.5	2.8	2.5	2.5	1.6	2.3	3.2
	Wood	kg/hour	3.5	3.5	3	3.5	3	3	2	2.8	4
Efficiency. min	%	70	70	70	70	70	70	70	70	70	70
Weight	kg	175	175	155	158	140	130	100	100	110	110

* HEU - range cooker with Heat Exchange Unit (hot water heater)





KVS EKODIVIZE inc., branch factory Dvorce – producer of range cookers under the KVS MORAVIA trademark

Contacts:

KVS EKODIVIZE a.s., závod Dvorce
Opavská 272
793 68 Dvorce
Czech Republic

tel.: +420 554 797 170

+420 554 797 168

fax: +420 554 745 500

e-mail: marketing@kvs-ekodivize.cz

www.kvs-ekodivize.cz

www.kvs-moravia.cz



The pictures in the catalogue may slightly differ from the actual appliances due to printing limitations. The manufacturer reserves the right to make alterations and amendments to products without prior notice. This catalogue is produced as a visual aid and is not intended to replace the Installation and User Instructions. The instalment information for appliances in this catalogue is informative only and may not fully comply with individual national regulations at the place of installation. You must consult with your installer or specialised officials on all of the local installation and operational regulations for these appliances!

© KVS MORAVIA, catalogue 1-2015. Grafika a Tisk: Tiskárna K-Tisk s.r.o. www.k-tisk.cz